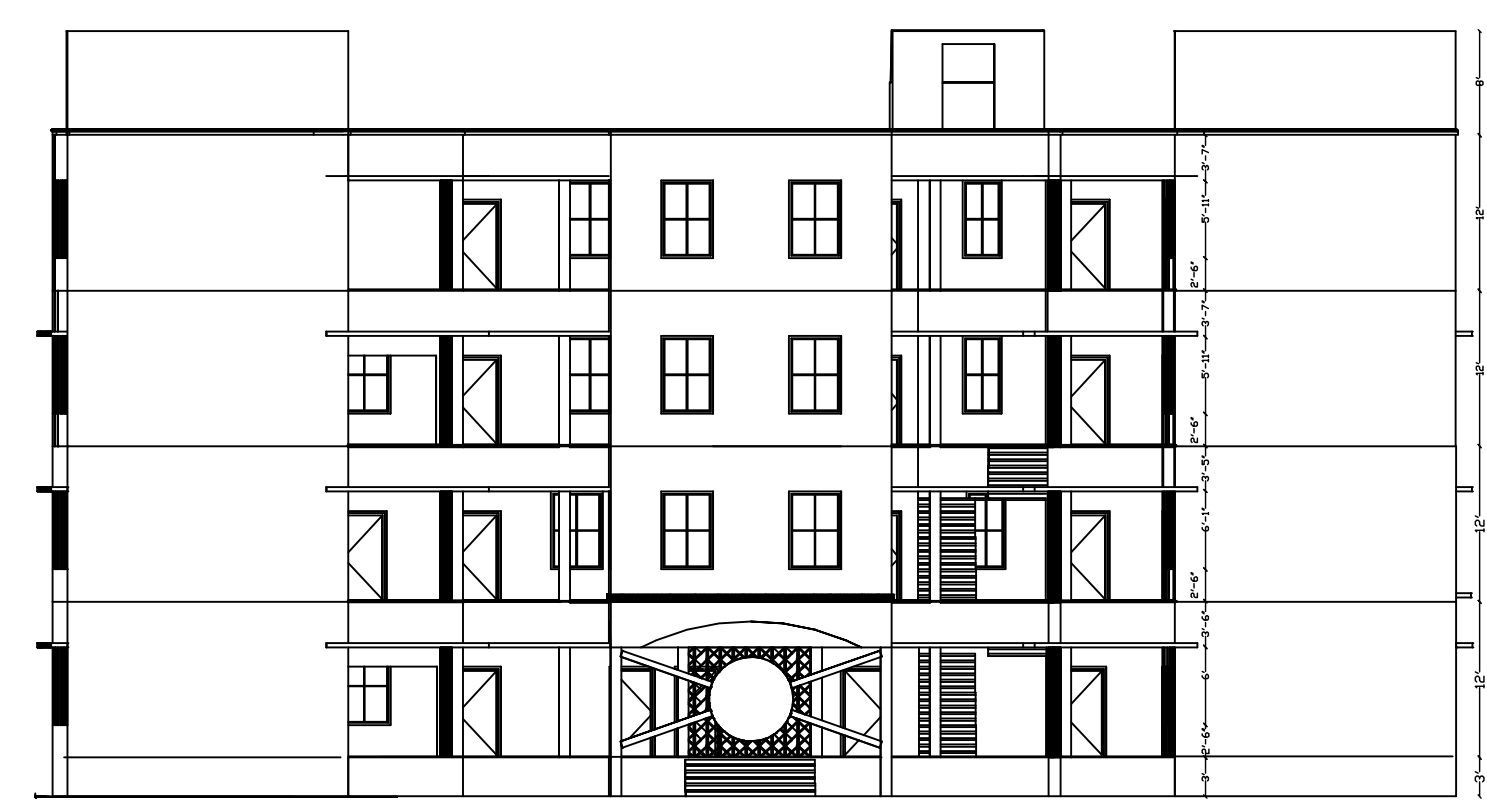
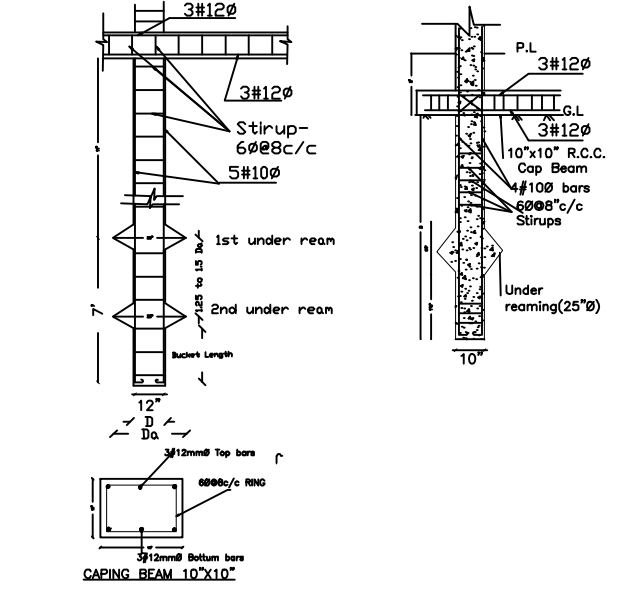
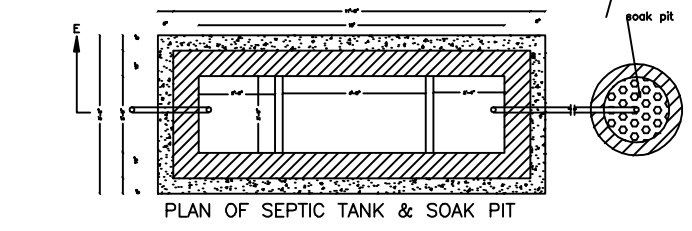
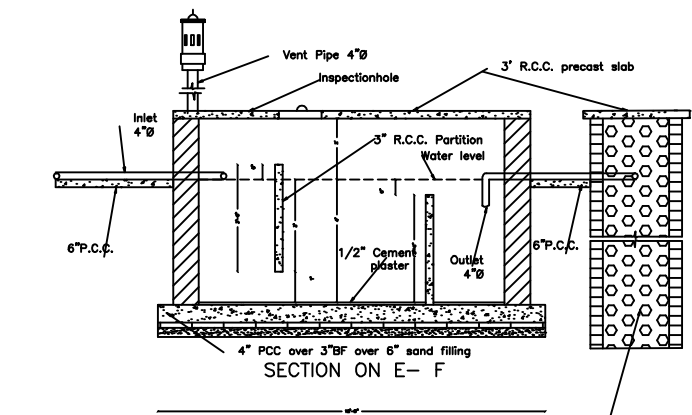
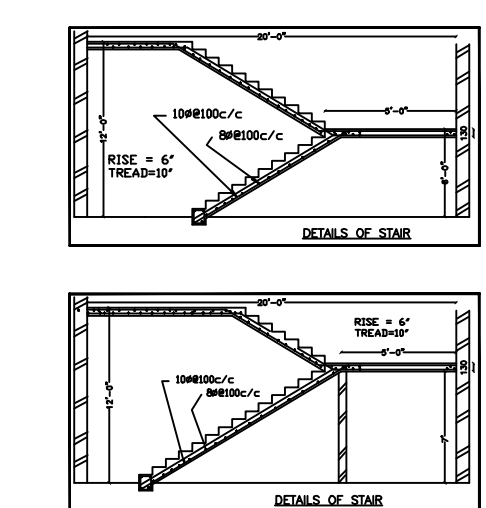
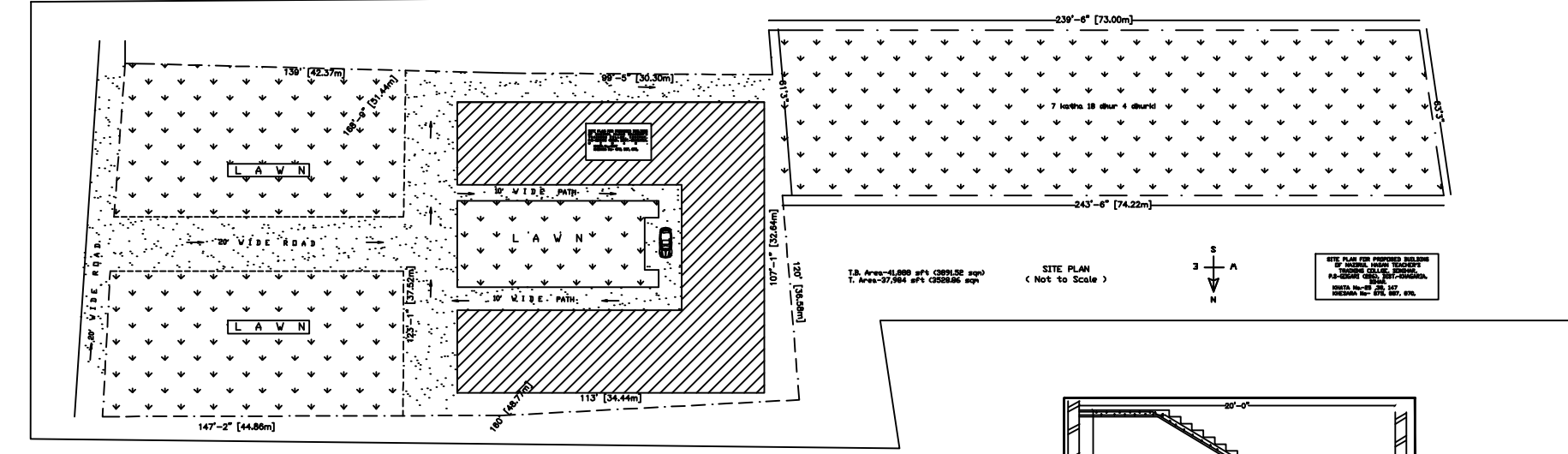


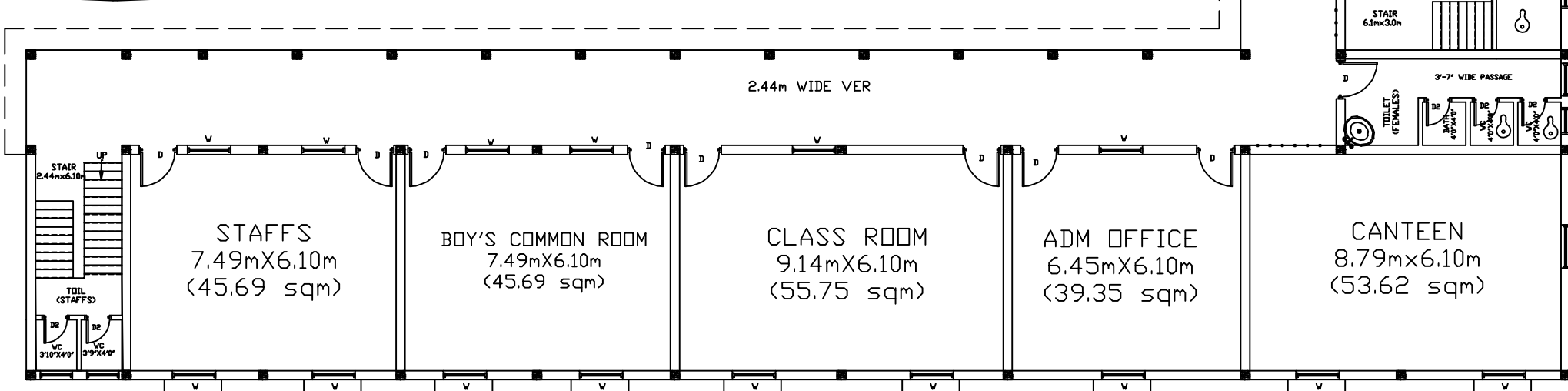
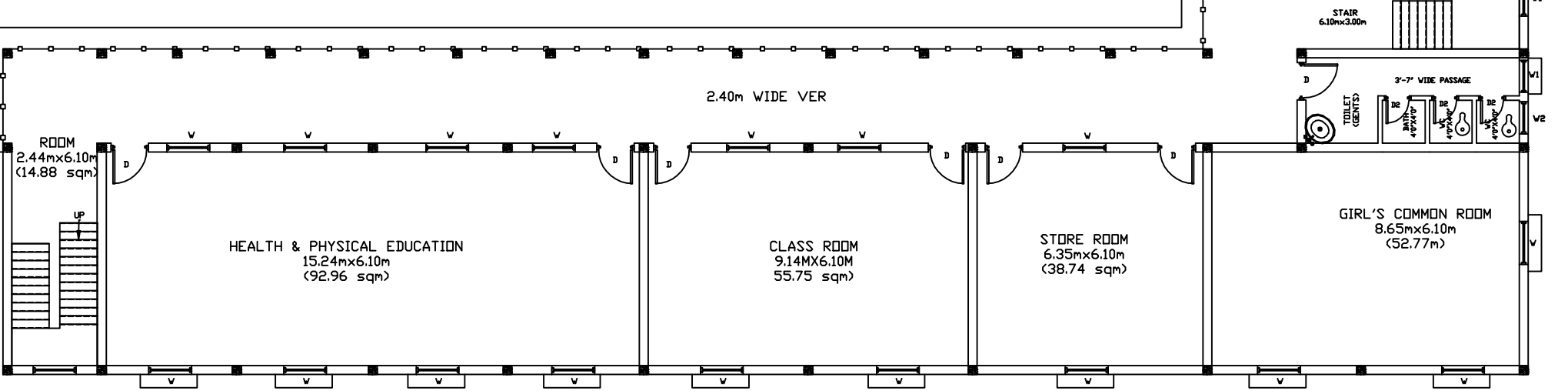
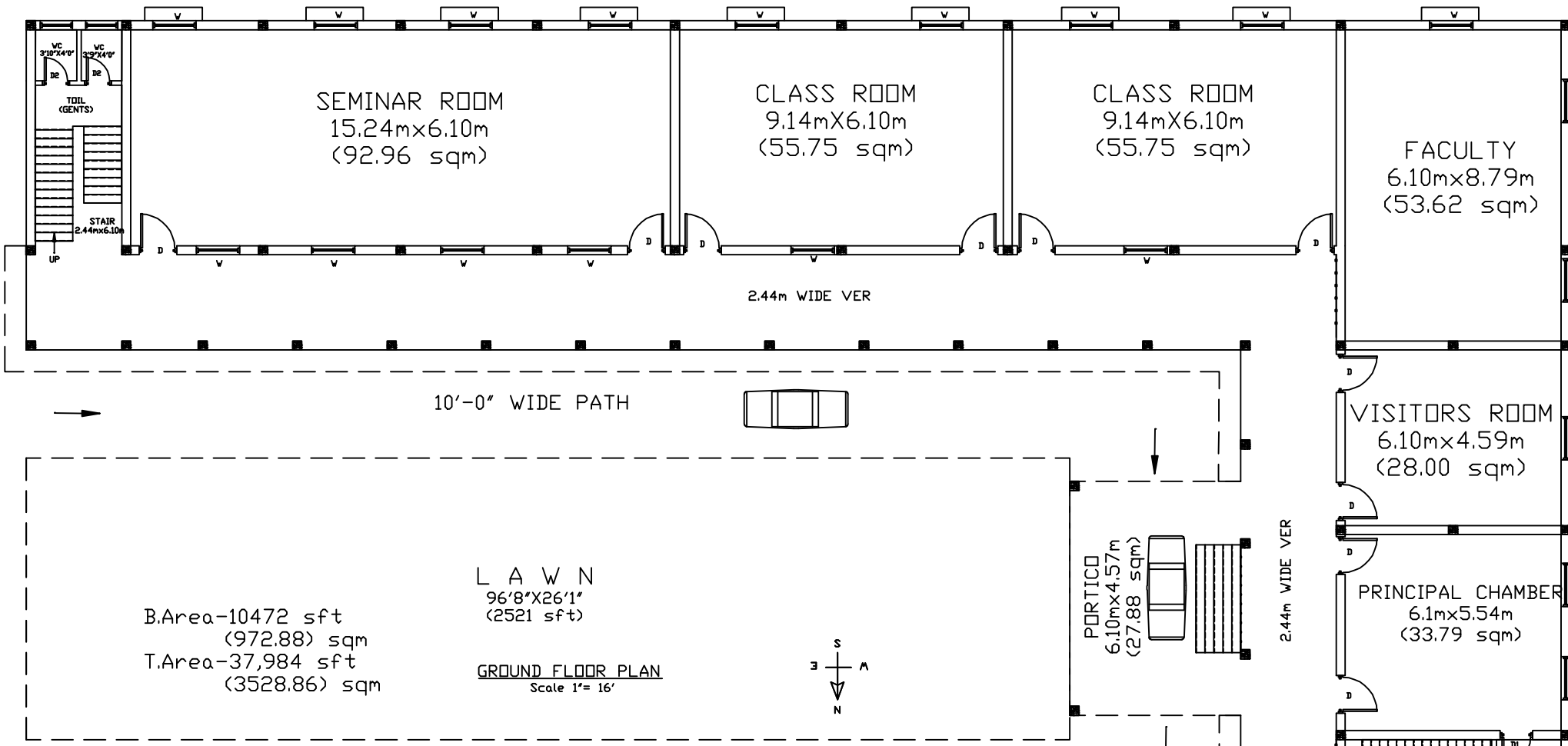
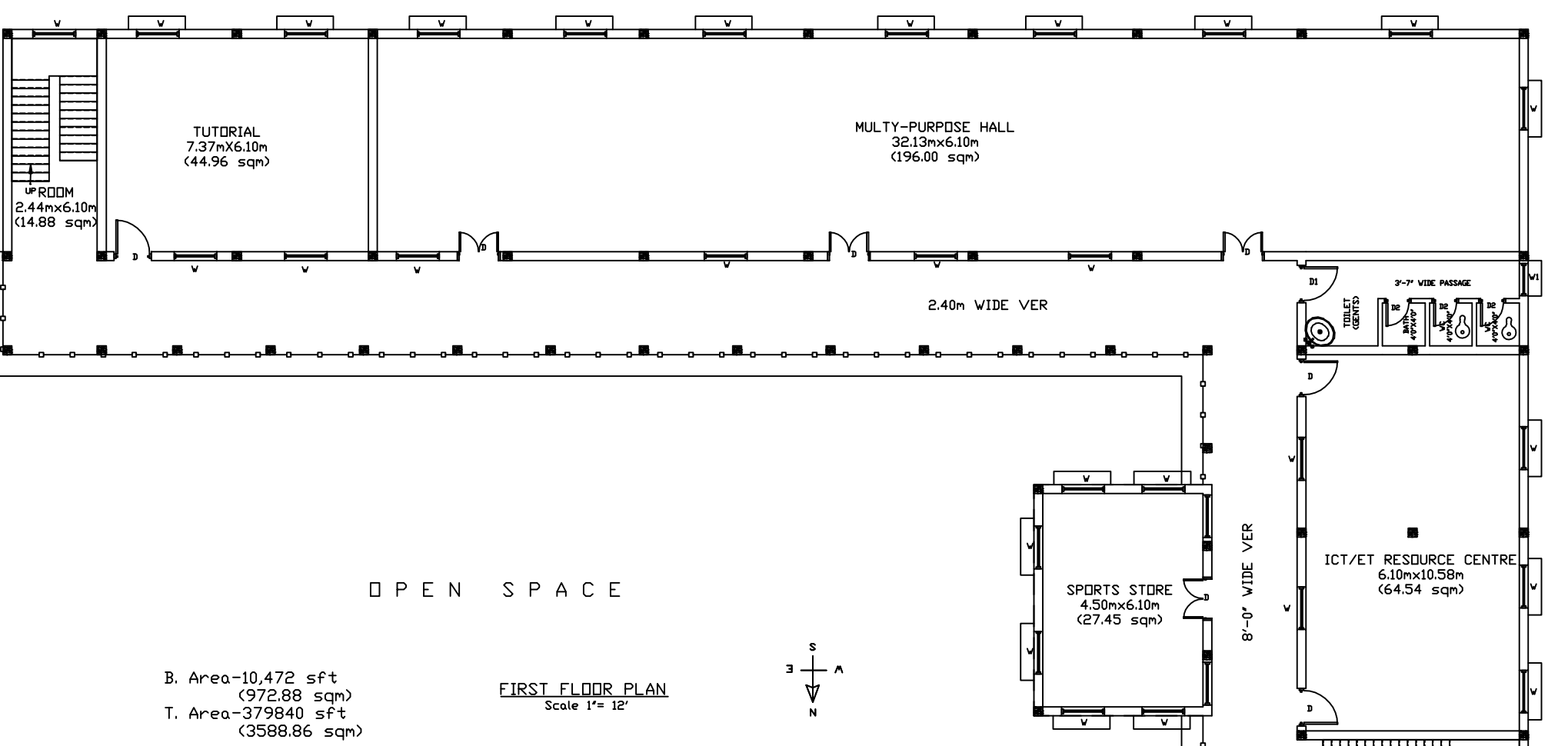
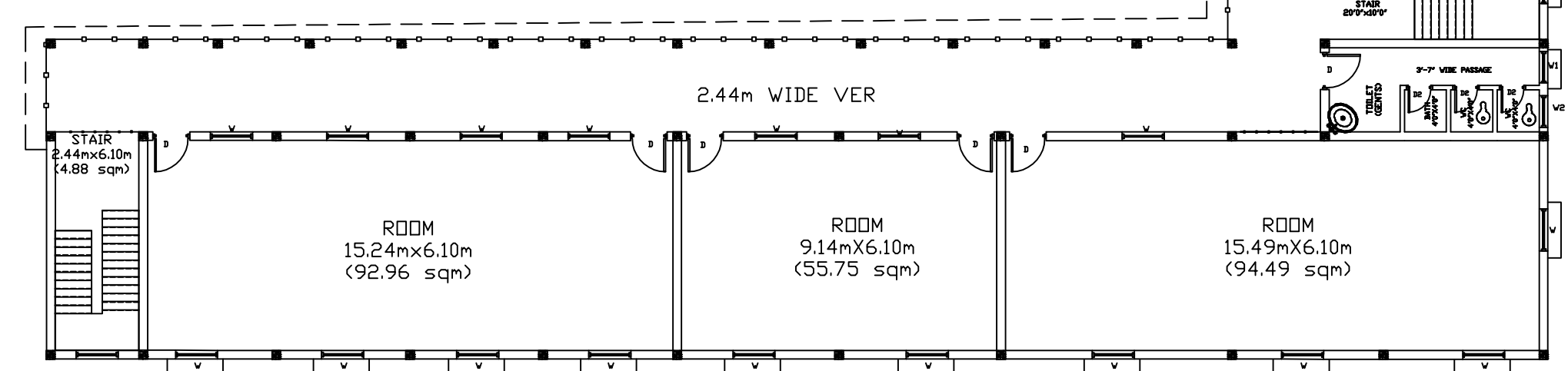
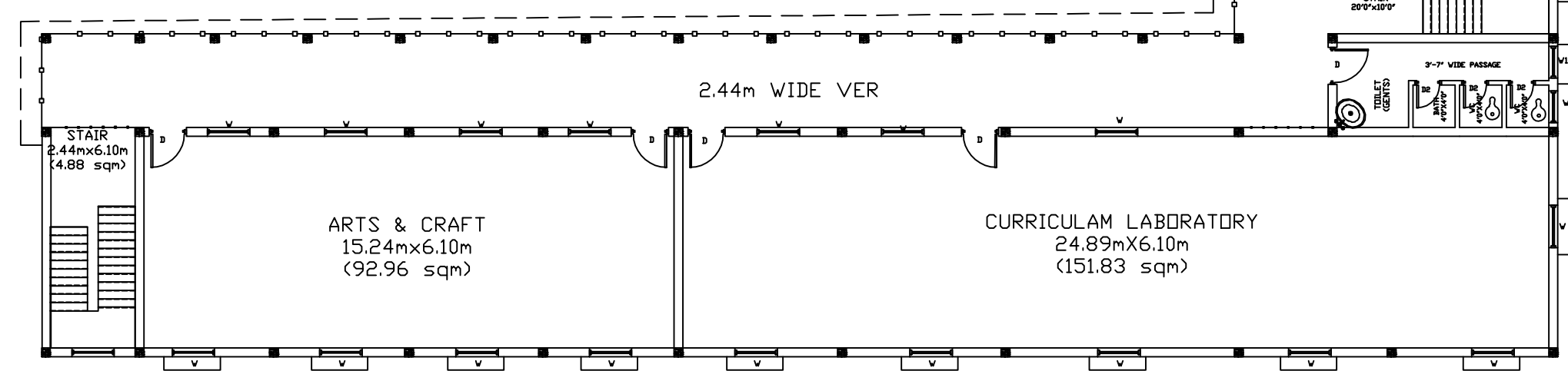
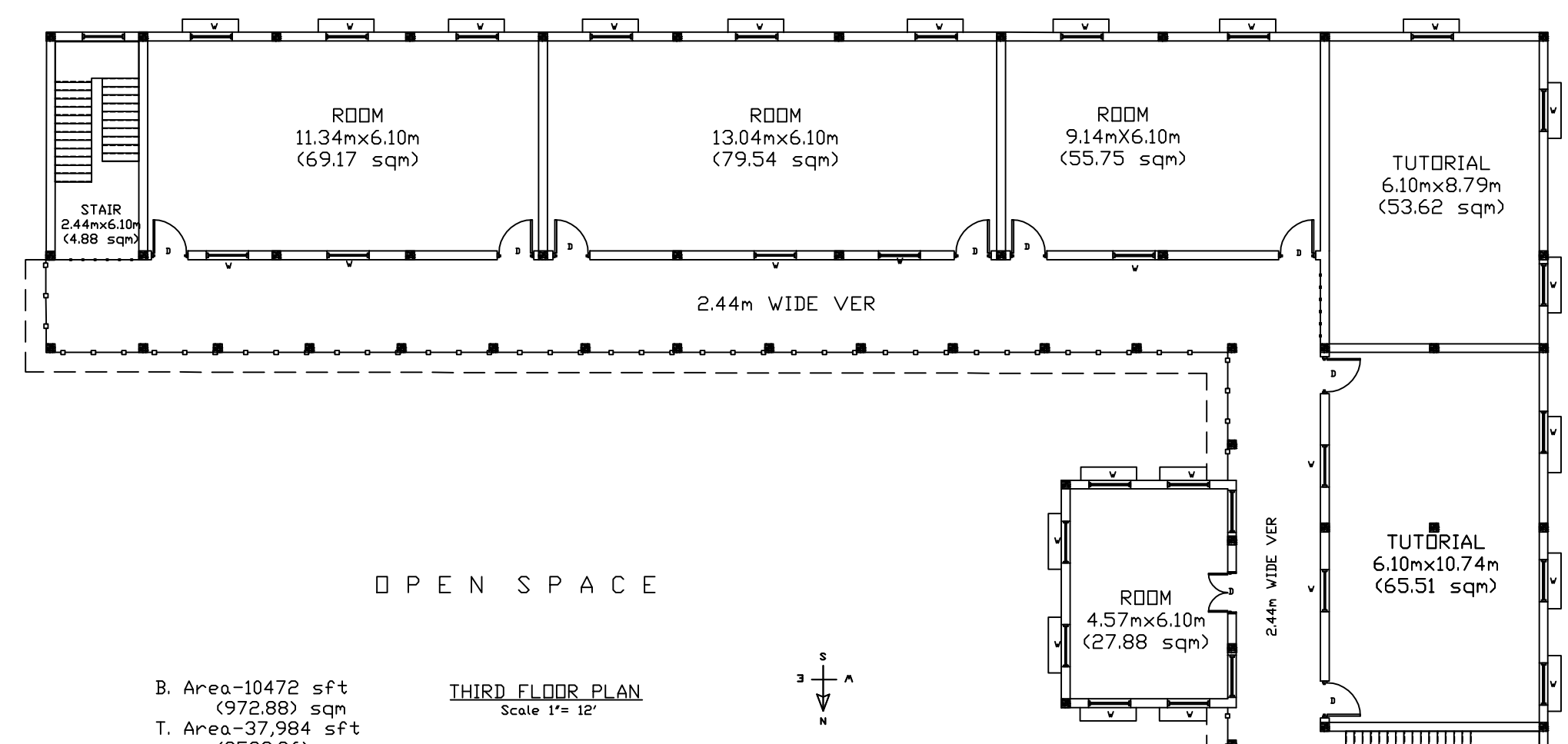
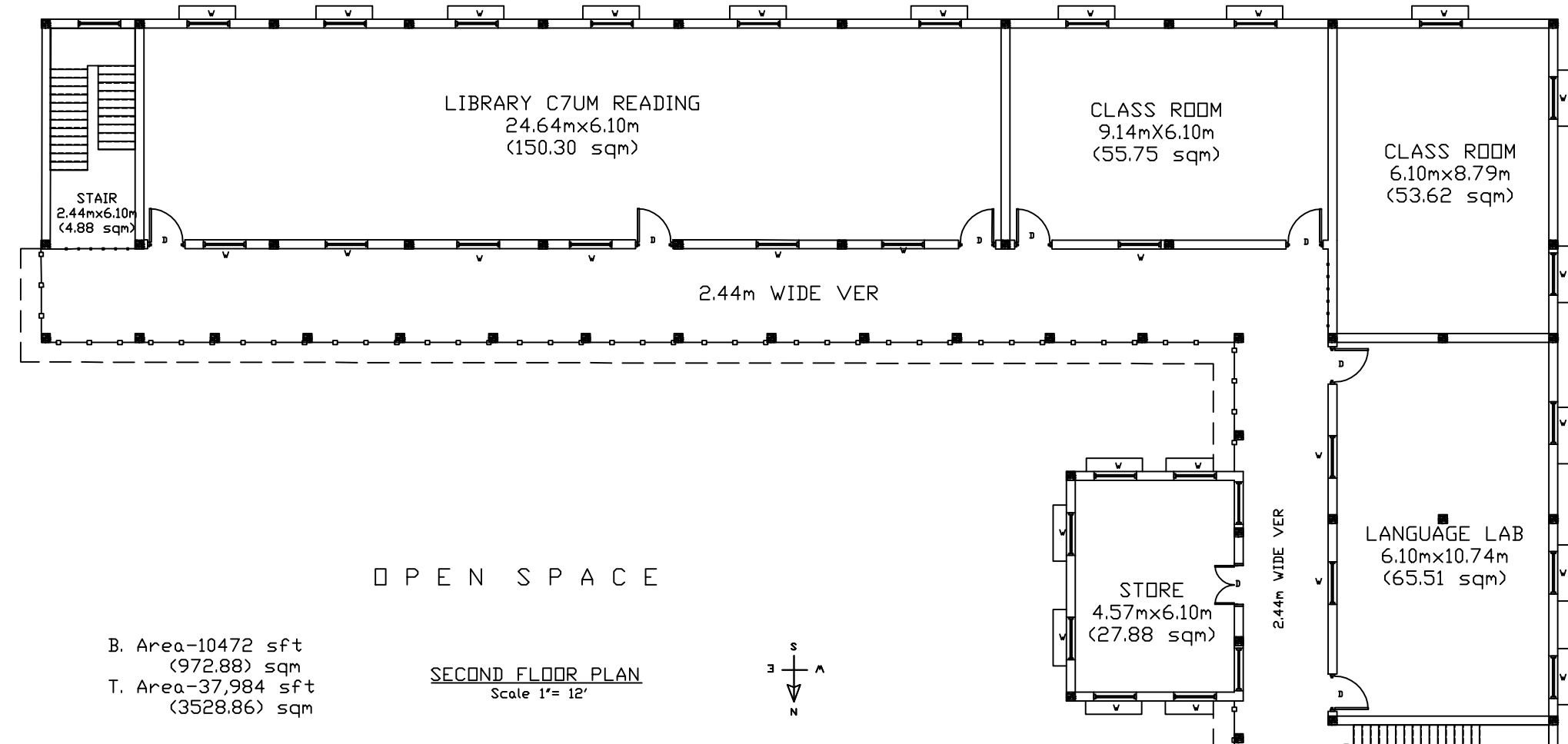
RIGHT ELEVATION



FRONT ELEVATION



SCHEDULE OF ROOM/HALL					
SN.	PARTICULARS	FL.	L in m	B in m	AREA in sqm
1	CLASS ROOM I	Gr	9.14	6.10	55.75
2	CLASS ROOM II	Gr	9.14	6.10	55.75
3	CLASS ROOM III	Gr	9.14	6.10	55.75
4	CLASS ROOM IV	FF	9.14	6.10	55.75
5	CLASS ROOM V	SF	9.14	6.10	55.75
6	CLASS ROOM VI	SF	6.10	8.79	53.62
7	TUTORIAL ROOM I	FF	7.37	6.10	44.96
8	TUTORIAL ROOM II	TF	6.10	8.79	53.62
9	TUTORIAL ROOM III	TF	6.10	10.74	65.51
10	LANGUAGE LAB I	SF	6.10	10.74	65.51
11	CURRICULAM LAB I	SF	24.89	6.10	151.83
12	ART & CRAFT RC I	SF	15.24	6.10	92.96
13	HEALTH & PHY EDU RESOURCE CENTRE	FF	15.24	6.10	92.96
14	ICT/ET I	FF	6.10	10.58	64.54
15	LIABRARY CUM RR I	SF	24.64	6.10	150.30
16	SEMINAR ROOM I	GF	15.24	6.10	92.96
17	MULTIPURPOSE HALL	FF	32.13	6.10	196.00
18	PRINCIPAL CHAMBER	GF	6.10	5.54	33.79
19	FACULTY ROOM	GF	6.10	8.79	53.62
20	VISITOR'S ROOM	GF	6.10	4.59	28.00
21	ADM OFFICE	GF	6.45	6.10	39.35
22	BOY'S COMMON ROOM	GF	7.49	6.10	45.69
23	GIRL'S COMMON ROOM	FF	8.65	6.10	52.77
24	STAFF ROOM	GF	7.49	6.10	45.69
25	SPDRS STORE ROOM	FF	4.50	6.10	27.45
26	STORE ROOM I	FF	6.35	6.10	38.74
27	STORE ROOM II	SF	4.57	6.10	27.88
28	CANTEEN	GF			
29	TOILETS :-				
	MALE, FEMALE, STAFF				



SCHEDULE OF DOOR & WINDOW			
TYP	W	H	SILL
D-	1.2	2.4	Nil
D1-	.975	2.4	Nil
D2-	.90	2.4	Nil
W-	1.8	1.9	.9
W1-	1.2	1.5	.9
W2-	1.2	1.5	.9
W3-	.9	1.5	.9
V-	.6	.9	1.5

AREA STATEMENT	
PLOT AREA AS PER SIZE	: 3528.86 sqm
1. GROUND FLOOR AREA	: 972.88 sqm
2. FIRST FLOOR AREA	: 972.88 sqm
3. SECOND FLOOR AREA	: 972.88 sqm
4. THIRD FLOOR AREA	: 972.88 sqm
TOTAL BUILT UP AREA	: 3891.52
% of COVERED AREA	: 27.57
TOTAL FAR ACHIEVED	: 1.10

CERTIFICATE
THE BUILDING IS DESIGNATED SAFE STRUCTURALLY FOR G+3 STORIES AS PER BUILDING IS CODE 456-2000, RCC CODE 800 & IS 4326-993 TO MAKE THE SAME EARTH QUAKE RESISTANT.

SPECIFICATION	
1. FOUNDATION	: SHOWN AS PER FOUNDATION DETAILS
2. FLOOR	: 25THK FLOOR FINISH OVER 75THK RCC.
3. DPC	: 25THK DPC AT PLINTH LEVEL IN CM.
4. LINTEL	: 50THK RCC LINTEL IN CM 1:2:4
5. ROOF	: 100THK RCC ROOF SLAB IN CM 1:2:4
6. S. STRUCTURE	: 250THK OF 125THK 1st CLASS BRICK IN CM 1:2:4
7. PLASTER	: 12mm THK CM INTERNAL & EXTERNA
8. SEPTIC TANK	: SEPTIC TANK WILL BE FLUSHING SYSTEM
9. REINFORCEMENT	: ALL REINFORCEMENT SHALL BE OF TOR STEEL OF GRADE FY 415
10. FINISHING	: COATS OF WHITE WASH/SCDCEM WASH

- NOTES :-**
- ALL DIMENSIONS ARE IN mm UNLESS OTHERWISE SPECIFIED.
 - ALL CONCRETE MIX M20 UNLESS OTHERWISE SPECIFIED.
 - # INDICATES "T M T" STEEL BAR Fe415.
 - ALL CONCRETE SHALL BE MACHINE MIXED AND MACHINE VIBRATED.
 - ONLY WRITTEN DIMENSIONS ARE TO BE FOLLOWED, NEITHER THE BARS SHALL BE COUNTED NOR THE DIMENSIONS SCALED FROM THE DRAWING.
 - CLEAR COVER TO ALL REINFORCEMENT SHALL BE 50 mm IN FOOTINGS & 40mm IN COLUMN.
 - ALL DISTRIBUTION BARS WHEREVER REQUIRED BUT NOT CALLED OUT SHALL BE #8 @ 200/c.
 - DEPTH OF FOUNDATION SHALL BE 1500 mm BELOW EXISTING GROUND LEVEL.
 - GRID LINE SHOWS C.L OF BEAM.
 - BEARING CAPACITY OF SOIL MUST BE VERIFIED BEFORE CONSTRUCTION.
 - THE FOUNDATION HAS BEEN DESIGNED FOR G+3 STOREY BUILDING LAP LENGTH SHOULD BE 47 TIMES OF THE Dia. OF BARS.

PROJECT :-		
DRAWING FOR PROPOSED BUILDING OF NAZIRUL HASAN TEACHER'S TRAINING COLLGE, SDNIHAR, P.S-GGARI (226), DIST.-KHAGARIA (OLD-MUNGER), BIHAR.		
KATA No-25, 38, 147 KHEASARA No- 875, 887, 870,		
OWNER :- NAZIRUL HASAN TEACHER'S TRAINING COLLGE, VII & PD-SDNIHAR, P.S-ALAUULI, DIST.-KHAGARIA, BIHAR.		
SECRETARY :- NADIM AHMAD		
Signature :-	Drawn by :-	Passed by :-
Secretary	Engineer	

